

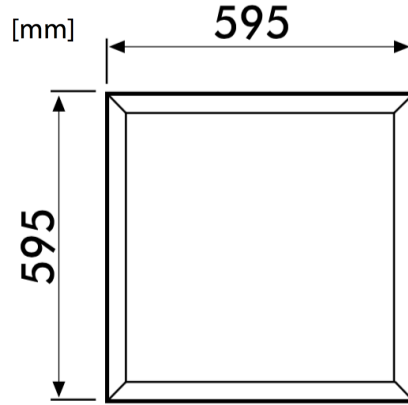
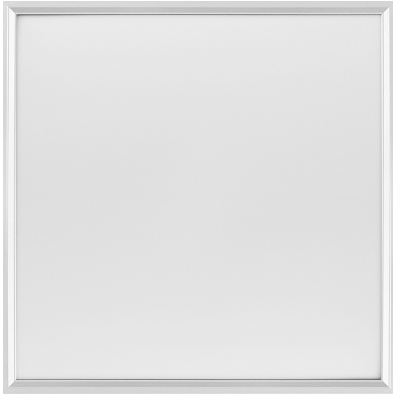
## Panel SLP



TECHNICAL SPECIFICATIONS	SLP 4000	SLP 5000
Scattering angle, °	120	120
Light output, lm/w	83	95
Active power, W	36	40
Luminous flux, lm	3000	3800
Color temperature, K	4000	5000
Protection class, IP	20	20
Power factor, PF	0,9	0,95
Color rendering index, Ra	≥ 80	≥ 80
Dimensions, mm	595x595x10	595x595x9
Weight, kg	3	3,1



# Dimensions



# Photometry

